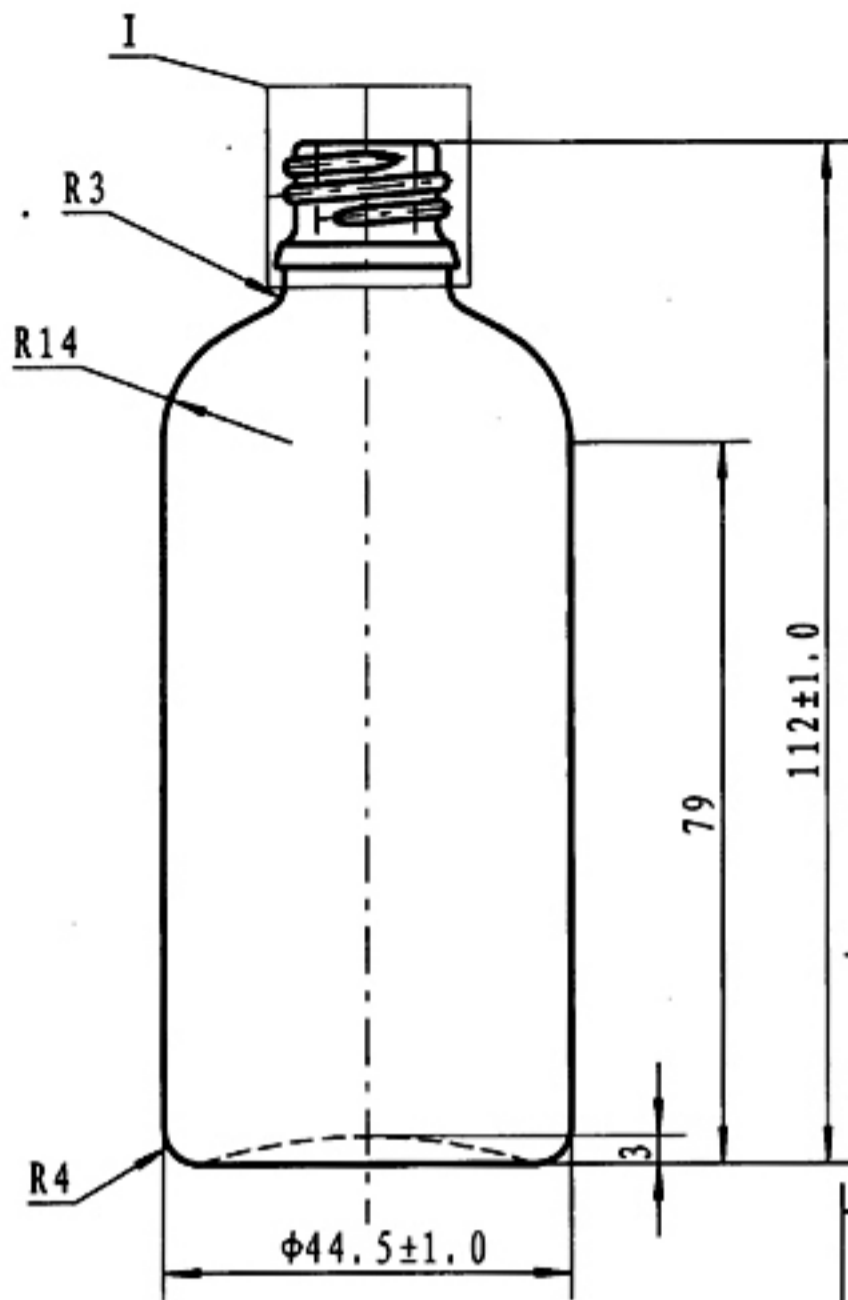
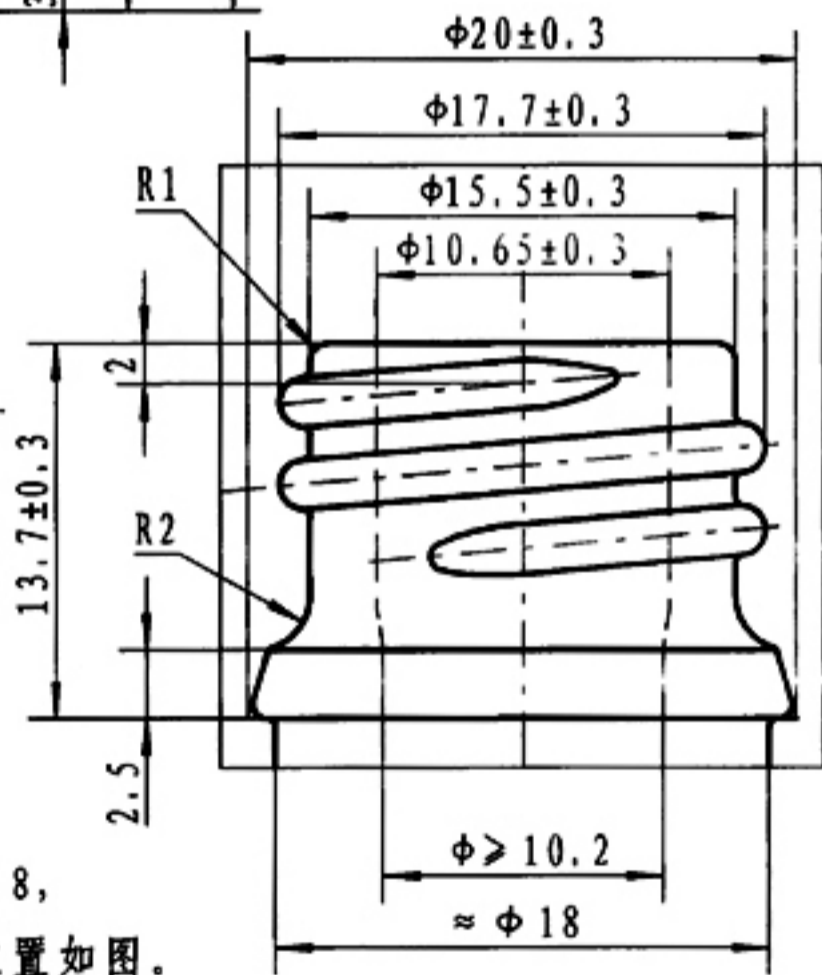
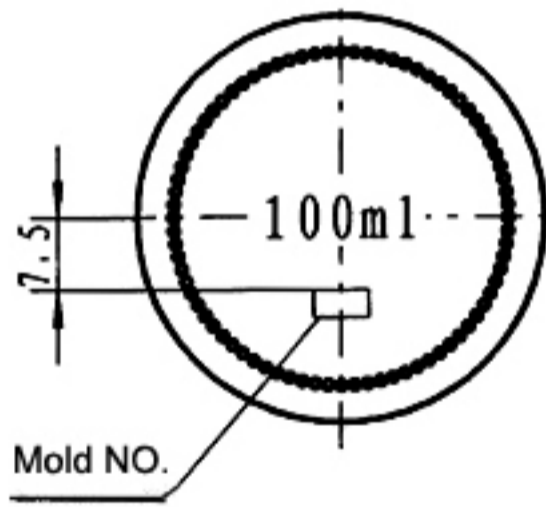


Specification sheet



Screw-pitch: 3
 Screw-breadth: 1.8
 Screw-thread: 2.2

瓶口放大
 3: 1



模具号字高3.5, 宽2.8,
 字间距0.8, 黑体, 位置如图。

| | | | | | |
|---------------|------------|----------|-------|--------------------------|--------------------------------|
| Filling Cap.: | 100ml | DES'D by | Date: | REF. NO.: | 491001 # |
| | | | Date: | DRG. NO.: | 100ZOQ |
| Brimful Cap.: | 105±3ml | CHK'D by | Date: | Material | Essence oil bottle, Type III |
| | | | Date: | | Made of Soda-lime Silica Glass |
| Weight: | Around 88g | APP'D by | Date: | Silver Spur Corp. | |